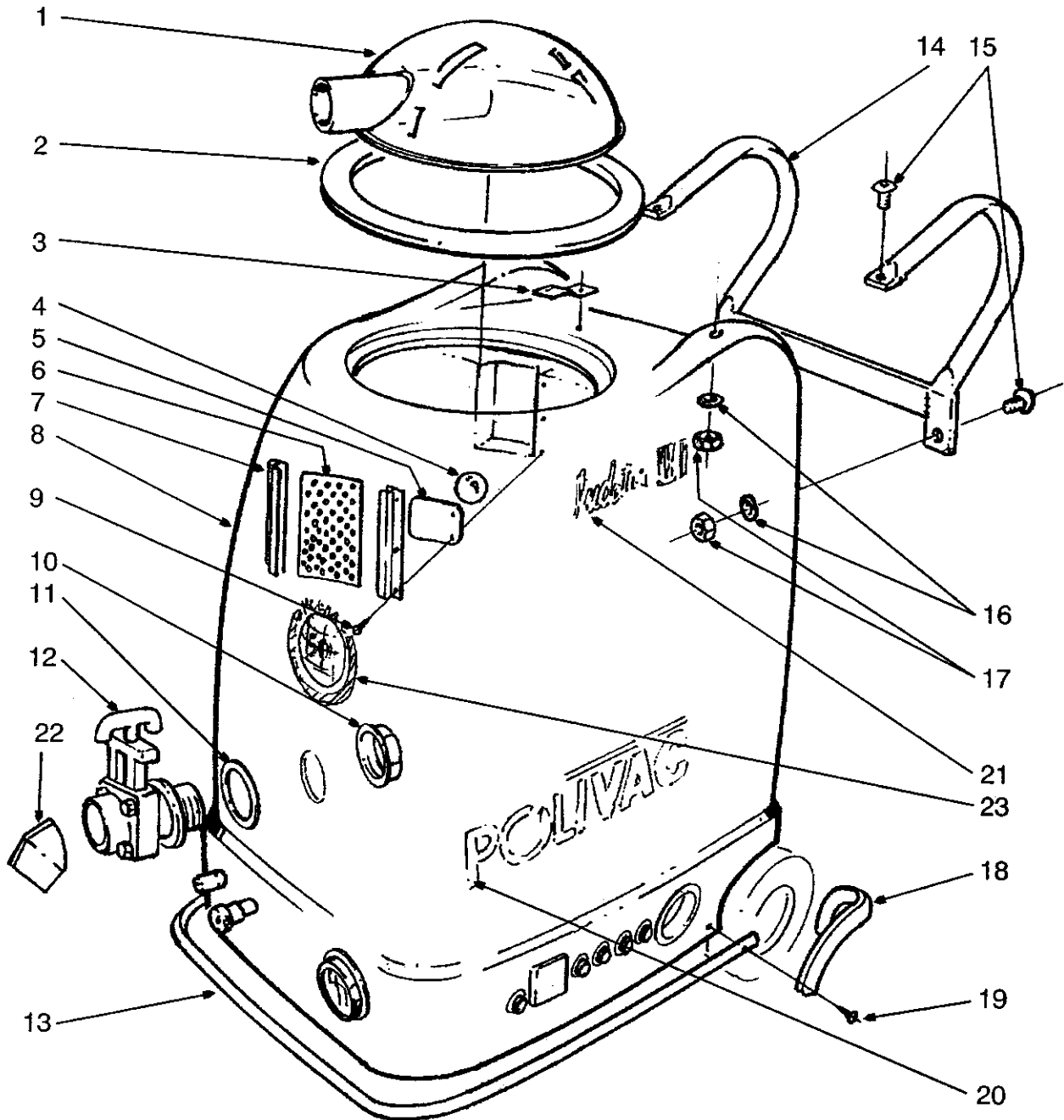


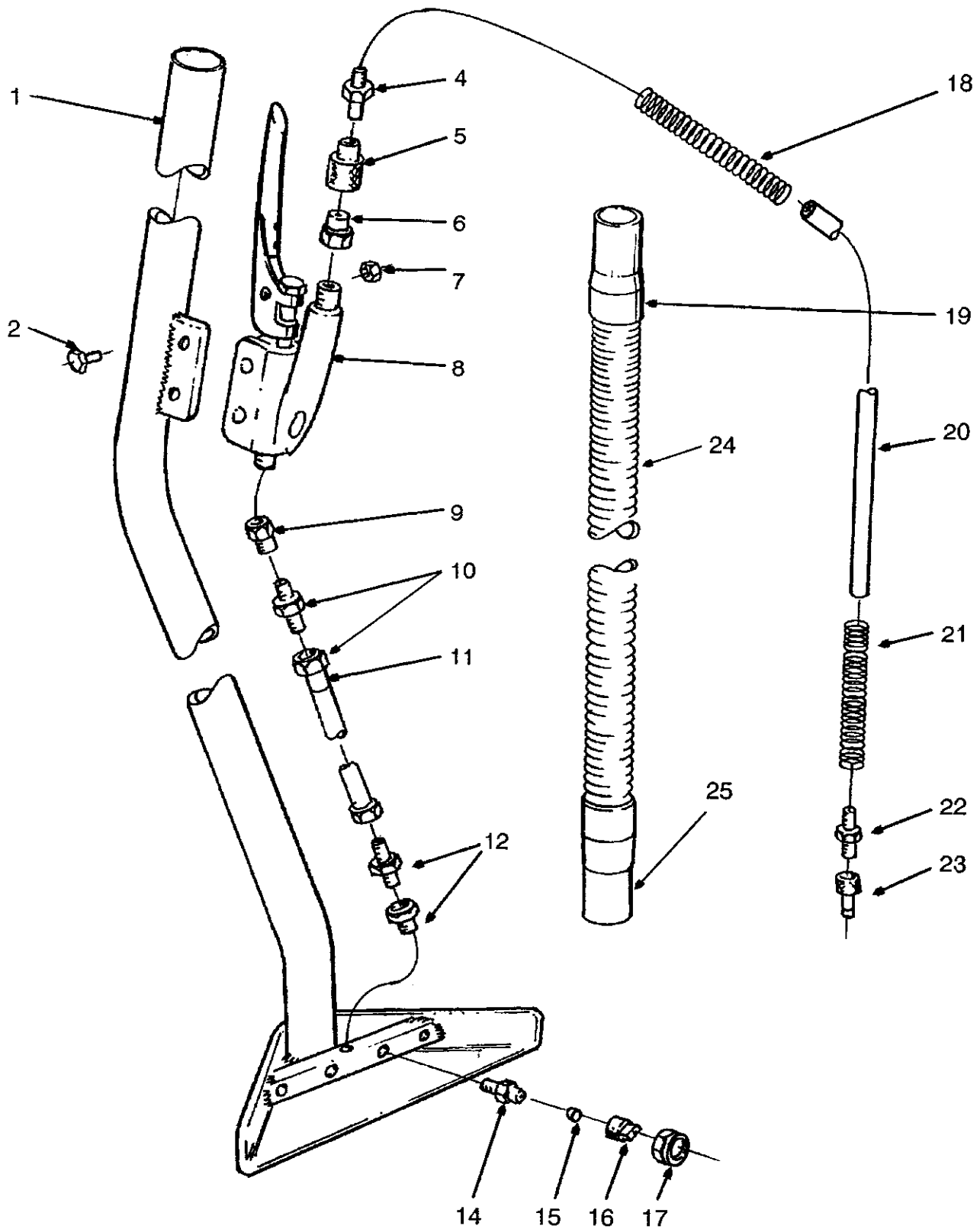
Predator Mk III

Cabinet Assembly



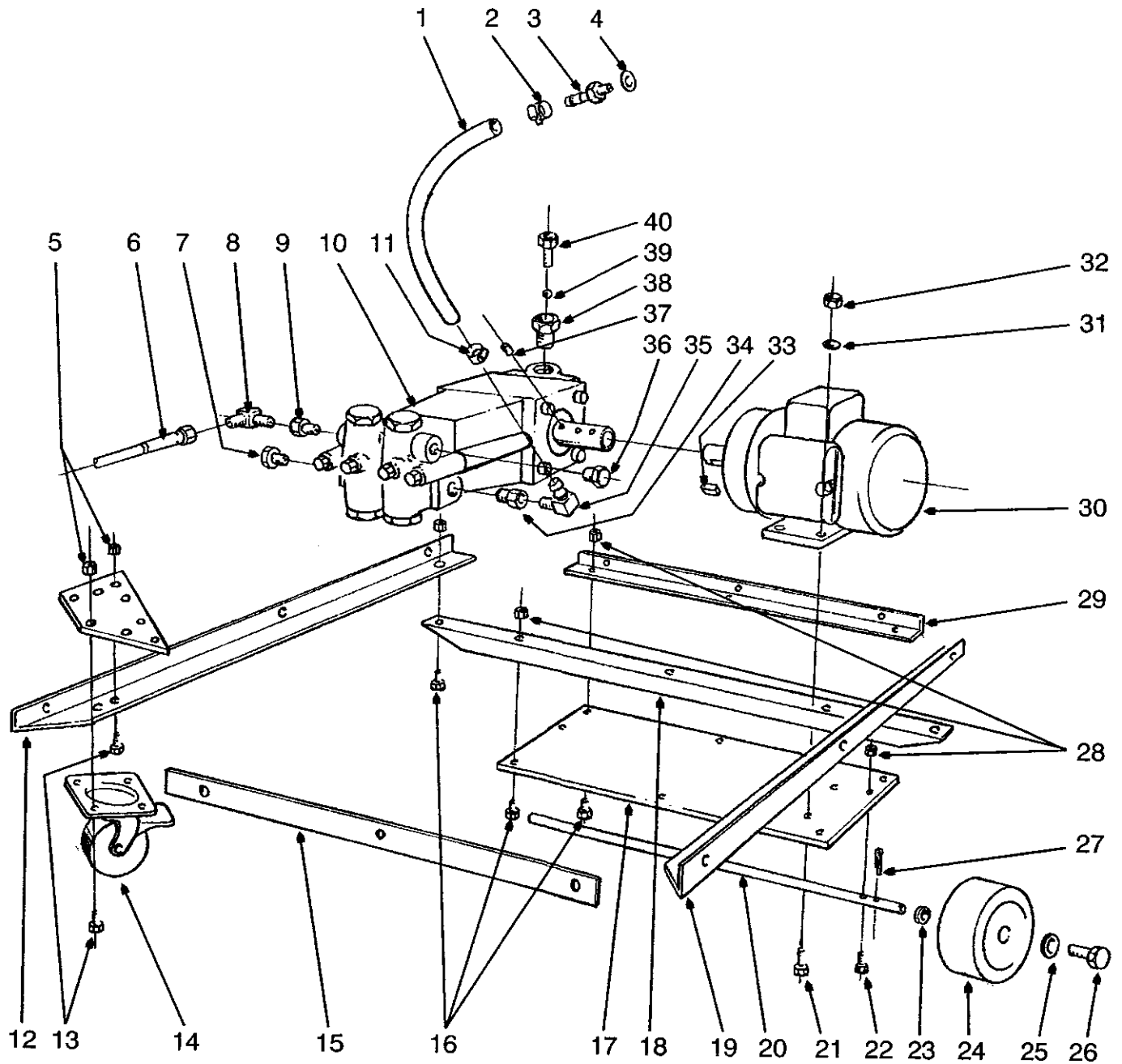
Predator Mk III

Wand & Hose Assembly



Predator Mk III

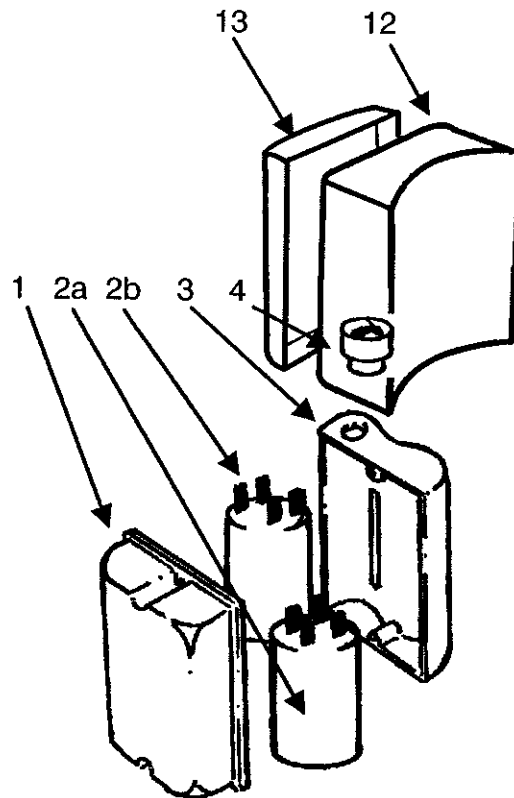
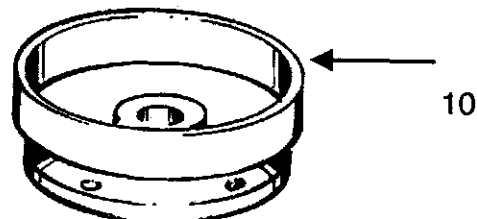
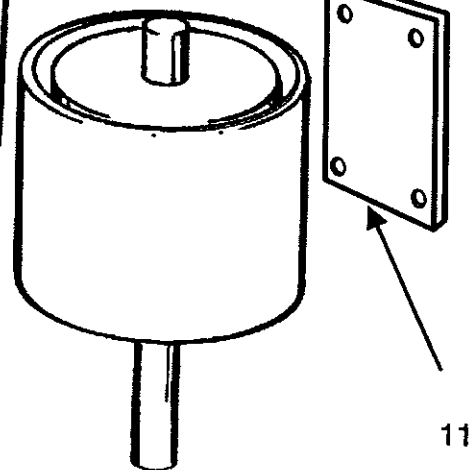
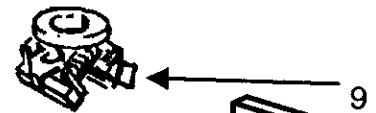
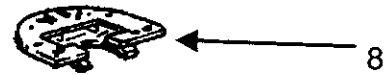
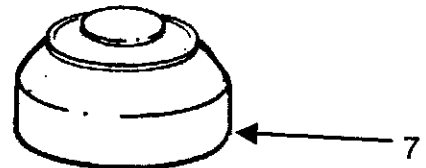
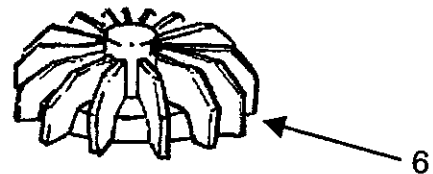
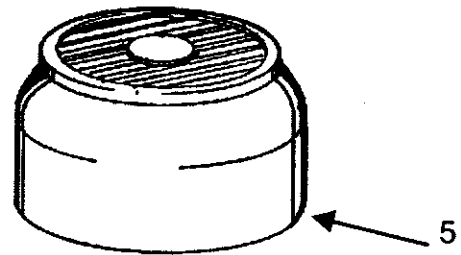
Motor, Pump & Frame Assembly



Predator Mk III

Drive Motor PPR017

- | | | |
|----|-----------|----------------------|
| 1 | VPV818CMG | Capacitor Box Cover |
| 2a | VPV800CMG | Start Capacitor |
| 2b | VPV825CMG | Run Capacitor |
| 3 | VPV817CMG | Capacitor Box Base |
| 4 | PPR124 | Manual Reset |
| 5 | VPV813CMG | Cowl |
| 6 | VPV812CMG | Cooling Fan |
| 7 | PPR120 | Non Drive Endshield |
| 8 | PPR121 | Switch Contact Plate |
| 9 | PPR122 | Centrifugal Switch |
| 10 | PPR124 | End Shield Drive End |
| 11 | PPR117 | Base |
| 12 | PPR118 | Terminal Box -Base |
| 13 | PPR119 | Terminal Box-Lid |



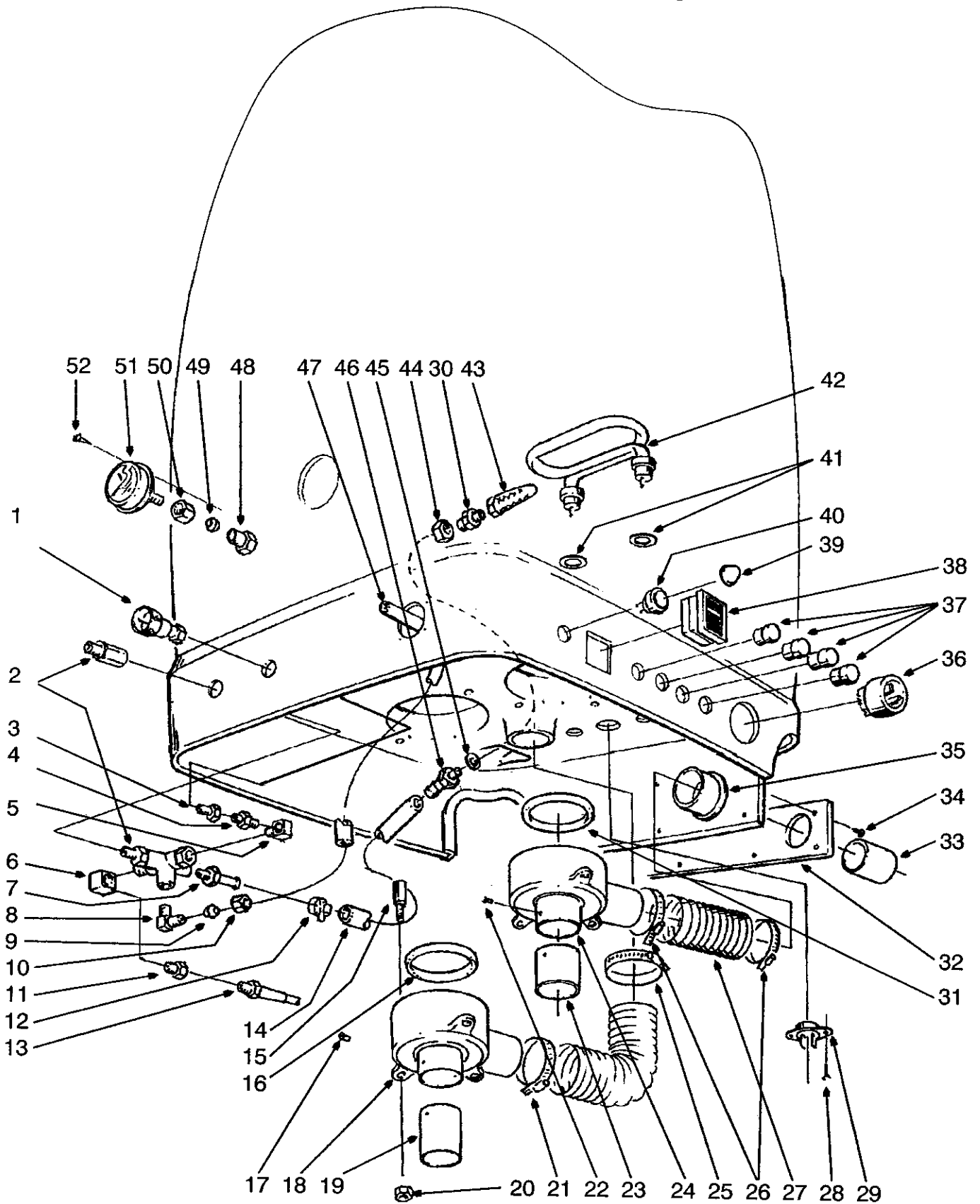
Predator Mk III

Under Carriage Assembly

NO	CODE	DESCRIPTION	NO	CODE	DESCRIPTION
1	PPR080	BRASS CONNECTOR	27	PPR040	HOSE
2	PPR021	UNLOADER	28	PPR105	SCREW
3	PPR062	BRASS BUSH	29	PPR026	THERMOSTAT
4	PPR065	BRASS REDUCER	30	PPR059	BRASS REDUCER
5	PPR061	BRASS ELBOW	31	PPR116	RUBBER SEAL
6	PPR060	BRASS ELBOW	32	PPR004	KICK PLATE
7	PPR052	BRASS BARB	33	PPR045	90MM MUFFLER PIPE
8	PPR063	BRASS ELBOW	34	AAK802	POP RIVET
9		PART OF PPR063	35	PPR044	MUFFLER END CAP
10		PART OF PPR063	36	PPR048	INLET SOCKET
11	PPR059	BRASS REDUCER	37	PPR022	SWITCH
12	PPR042	CLAMP	38	PPR023	HOUR METER
13	PPR078	HOSE END	39	PPR050	RUBBER BOOT
14	PPR039	HOSE	40	VPV807CMG	THERMAL OVERLOAD
15	PPR024	VAC MOTOR MOUNTS	41	PVS040	WASHER
16	PPR116	RUBBER SEAL	42	PPR025	HEATER
17	AAK802	POP RIVET	43	PPR032	MONEL SCREEN
18	PVT002	VACUUM MOTOR	44	PPR054	LOCK NUT
19	PPR046	MUFFLER PIPE	45	AAG470	WASHER
20	AAF140	NYLOC NUT	46	PPR051	BRASS BARB
21	PPR043	CLAMP	47	PPR066	NYLON HOSE
22	AAK802	POP RIVET	48		PART OF PPR064
23	PPR046	75MM MUFFLER PIPE	49	PPR064	BRASS CONNECTOR
24	PVT002	VACUUM MOTOR	50		PART OF PPR064
25	PPR043	CLAMP	51	PPR020	PRESSURE GAUGE
26	PPR043	CLAMP			

Predator Mk III

Under Carriage Assembly



Predator Mk III

Motor, Pump & Frame Assembly

NO	CODE	DESCRIPTION
1	PPR039	HOSE
2	PPR042	CLAMP
3	PPR051	BRASS BARB
4	AAG470	WASHER
5	AAA354	NUT
6	PPR038	FEMALE HOSE END
7	PPR055	BRASS PLUG
8	PPR057	BRASS ELBOW
9	PPR058	BRASS REDUCER
10	PPR018	PUMP
11	PPR042	CLAMP
12	PPR005	SIDE FRAME
13	PW100	BOLT
14	PPR016	CASTOR
15	PPR006	FRONT FRAME
16	PW100	BOLT
17	PPR008	MOTOR PLATE
18	PPR010	CROSS BAR
19	PPR005	SIDE FRAME
20	PPR011	AXLE
21	SK006	BOLT
22	PPR093	BOLT
23	AAG365	WASHER
24	PPR015	TYRE
25	GSS056	WASHER
26	GAS049	BOLT
27	PPR102	SPLIT PIN
28	AAA354	NUT
29	PPR007	REAR FRAME
30	PPR017	DRIVE MOTOR
31	AAG365	WASHER
32	PPR094	NUT
33		PART OF PPR020
34	PPR059	REDUCING PLUG
35	PPR053	BRASS ELBOW
36	PPR056	BRASS PLUG
37		PART OF PPR020
38		PART OF PPR020
39	PPR033	BALL BEARING
40	PPR034	BRASS BARB

Predator Mk III

Wand & Hose Assembly

NO	CODE	DESCRIPTION
1	PPR067	WAND
2	PW100	SCREW
4	PPR037	MALE HOSE END
5	PPR080	FEMALE CONNECTOR
6	PPR078	MALE CONNECTOR
7	AAA354	NUT
8	PPR068	TRIGGER
9	PPR069	S/S ADAPTOR
10	PPR075	BRASS CONNECTOR
11	PPR076	NYLON HOSE
12	PPR075	BRASS CONNECTOR
14	PPR070	JET BODY S/S
15	PPR072	FILTER
16	PPR073	JET
17	PPR071	S/S CAP
18	PPR079	SPRING GUARD
19	PPR082	HOSE CUFF BLACK
20	PPR077	HOSE
21	PPR079	SPRING GUARD
22	PPR037	MALE HOSE END
23	PPR074	MALE CONNECTOR
24	PPR081	VACUUM HOSE
25	PPR083	HOSE CUFF WHITE

Predator Mk III

Cabinet Assembly

NO	CODE	DESCRIPTION
1	PPR027	DOME
2	PPR047	RUBBER SEAL
3	PPR114	DOME LATCTH
4	PPR035	FLOAT
5	PPR113	FLOAT GUIDE
6	PPR013	FILTER SCREEN
7	PPR012	FILTER TRACK
8	PPR001	CABINET
9	PPR105	SCREW
10	PPR031	PLASTIC NUT
11	PPR030	GASKET
12	PPR028	DUMP VALVE
13	PPR002	CABINET TRIM
14	PPR014	HANDLE ASSEMBLY
15	PPR103	SCREW
16	PPR104	WASHER
17	PPR096	NUT
18	PPR003	PINCH WELD
19	PPR098	SCREW
20	PBV020	POLIVAC LABEL
21	PPR115	PREDATOR MKII LABEL
22	PPR029	DUMP VALVE SPOUT
23	VPV545	POLIVAC LOGO LABEL